

COOKER HOOD  
COLLECTION  
2023



  
**miro**  
— THE ART OF EXTRACTION —





Sculleries of Stockbridge showroom display, Edinburgh

# THE ART OF EXTRACTION

**With so many things to consider when planning your new kitchen, it's easy to overlook one of the most important elements – the extraction.**

Our stylish and unique range of high-performance products all feature the latest cutting-edge technology, and our quiet, powerful cooker hoods are designed for the demands of modern-day kitchen living.

Miro offer arguably the most comprehensive collection of cooker hoods on the market, stocked at our headquarters in Lancashire and available on a **2-to-5-day delivery turnaround** anywhere in the UK. All of our products are supplied with **2 years parts and labour warranty**, with additional warranty cover available.

We also offer a bespoke design service, providing customers with the opportunity to design a cooker hood perfect for individual requirements.

Product features	<b>4</b>
Our products	<b>7</b>
Product matrix	<b>54</b>
Warranty & servicing	<b>53</b>



# WHY CHOOSE MIRO?



## QUALITY SERVICE

Miro offer all customers a fantastic customer service experience. Our friendly and fully trained staff are always on hand to help and support customers with their requirements.

## QUIET & POWERFUL

Miro believe the kitchen should be a peaceful place to enjoy, without distractions. That's why our extractors feature premium, high performance motors that are powerful to extract unwanted smells, but also quiet, ensuring that your kitchen is the perfect place to socialise.

## HIGH QUALITY STEEL

All Miro cooker hoods are manufactured using only the highest quality components featuring the latest cutting-edge technology. Many of our hoods are also produced using the highest quality 1mm thick 304 stainless steel for durability and additional robustness.

Get in touch with our team of experts for more information

# FILTER SYSTEMS

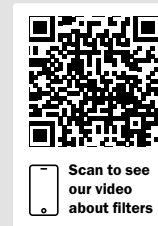


## PLASMA FILTERS

Plasma is the most effective and innovative recirculation alternative on the market.

Through chemical reactions, it changes the composition of the molecules of the polluted air, purifying 98% of the particles.

Plasma air purification is also acts as a silencer, reducing the noise by up to 14% and includes a life span of up to 15 years.



Filter	Maximum rate	SKU
Plasma flat	800 m <sup>3</sup> /h	<b>90373</b>
Cylindrical plasma	1000 m <sup>3</sup> /h	<b>90371</b>
Cylindrical plasma	600 m <sup>3</sup> /h	<b>90372</b>
Plasma L750	750 m <sup>3</sup> /h	<b>90413</b>
Plinth grid	-	<b>90376</b>

orders@miroproducts.co.uk • 01282 450 238



## HELSEA CUBES (REGENERABLE)

Our Box-R plinth system includes 9 to 10 Helsea charcoal cubes creating a system that enables up to 4000 parallel flow channels, capturing grease and odours very effectively.

By separating the air in multitude of channels, this system also acts like silencer reducing the noise of the air flow. Helsea can be regenerated in the oven at 160 degrees Celsius (OC) for approximately 90 minutes a maximum of 8 cycles.

Filter	Finish	Cubes	SKU
Box-R socle (H3)	Stainless steel	10	<b>90267</b>
Helsea Cube (spare)	-	-	<b>90354</b>



## CARBON FILTERS

Carbon filters are the most traditional method of recirculation.

They include microgranules of coal that collect the odours, clean them, the cleaner air is then recirculated back into the kitchen area.

Our FC-Plus Ceiling filter is compatible with our 360 ceiling hoods and is long lasting. This filter has a lifespan of up to 5 years and can be regenerated twice. Carbon re-fills for this filter are also available to purchase.

Filter	SKU
FC Plus Ceiling	<b>90384</b>
Carbon re-fill for 90384 ceiling filter	<b>90386</b>
Standard carbon filter for wall hoods	<b>90133</b>
Standard carbon filter	<b>90801</b>
Standard carbon filter for Urban Plus range	<b>90802</b>
Carbon filter for downdraft	<b>90803</b>
Standard carbon filter for Tempo range	<b>90804</b>

# EXTRA FEATURES



## HOOD-TO-HOB



Our Hood-to-Hob Connect induction hob provides you with the convenience of controlling all compatible hood functions from a control panel located directly on the hob. **See page 8.**



## 360° SPIRAL MOTOR



Our 360° spiral motor is now more efficient than ever, making it possible to install extraction ducts in any direction for improved performance and easier installation.



## AIRSOFT SILENCERS



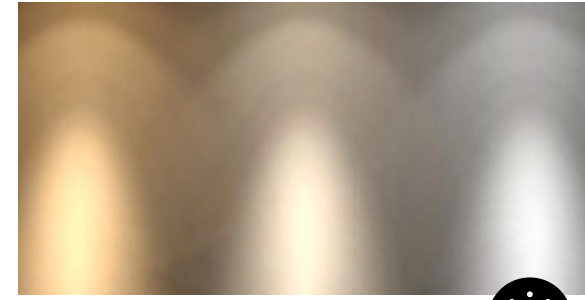
For even more noise-reduction, our Airsoft ducting silencers are available as an optional extra for most Miro cooker hoods, and they can reduce extractor noise perception by a further 15%



## EASY FIX INSTALLATION



Many of our ceiling hoods are designed with mounting clips for quick and effortless installation. Connect the motor to the ducting and raise the hood until it clicks into place to flush-mount it to a false ceiling.



## ADJUSTABLE LIGHTING



The majority of Miro cooker hoods are supplied with warm LED lights (3000K). However, many of our products also have temperature selectors to adjust the light ambience. Please look out for this symbol for compatible models.



## REMOTE CONTROLS



Many of our cooker hoods include a remote control as standard, especially models that are more difficult to reach. Please look out for this symbol for compatible models.

## CEILING HOODS



SLIMLINE 13    SENSE 360 14    NITRO 360 16    AERO COMPACT 17    MOON 360 19    BRIGHT 360 20

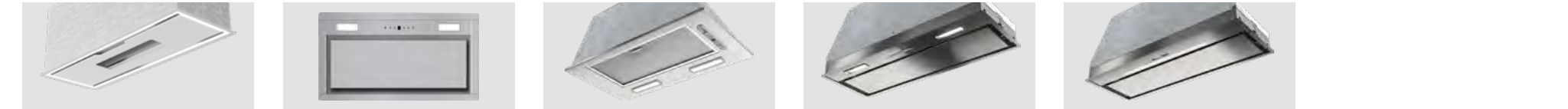
## SURFACE HOODS



ENVY 25    FLOW 5 26    TOLEDO 28    OPERA 30    ASTRO PURE 34    URBAN PLUS ISLAND 35

## ISLAND HOODS

## CANOPY HOODS



LUNA 38    GA FILO 39    TEMPO 40    STEALTH 41    VERVE 42



ETHOS PRO 43    VIGOR 44    FEEL 45    SOUL 46    STATUS 47

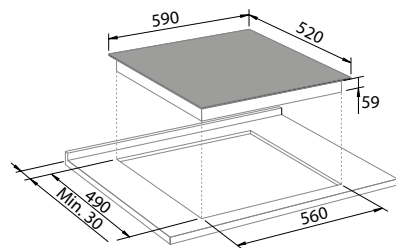
## WALL HOODS



STREAM 50    PHANTOM 51    SIGMA 52    HERITAGE PRO 53    URBAN PLUS WALL 54



# HOOD-TO-HOB INDUCTION HOB



Our Hood-to-Hob Connect induction hob provides you with the convenience of controlling all compatible hood functions from a control panel located directly on the hob.

LOOK OUT FOR 

## BRIDGE ZONES

The plate allows you to bridge two cooking zones to create a single area where you can use large pans cook several dishes at once, with maximum flexibility.

## POWER BOOST

Our H-2-H Connect induction hob includes booster function to increase the power of the selected area. When activated, the cooking area works for up to ten minutes at high power to quickly heat large amounts of water.

## SAFETY

Induction hobs have modern and sophisticated safety systems: centralized shutdown; security lock; waste heat indicators. The hob will turn off if no pans are detected; Overflow detector, which automatically turns off the plate if liquids are spilled; automatic deactivation, to prevent accidents.

## 30CM COOKING ZONES

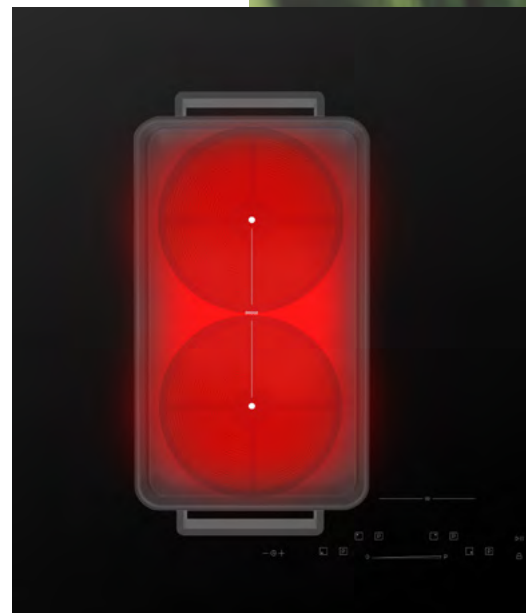
The separate cooking areas are equipped with an double induction zone that allows the use of utensils with diameters between 11 and 30 cm. A large area for the most demanding kitchen.

## PAN DETECTION

Induction hobs not only recognize the presence of pans but also calculate the support surface. This allows you to use energy more efficiently. When the pan is removed, the cooking area is automatically deactivated.

## SIZE & FINISHES

Dimensions (mm)	Finish	SKU
590 x 520	Black glass	511510







# CEILING HOODS

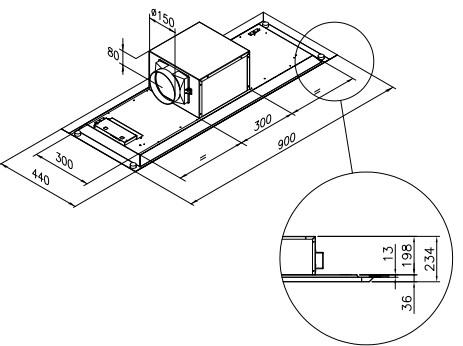
An impressive selection of powerful, quiet and stylish ceiling hoods that are perfect for open plan living.





# SLIMLINE

Miro's new innovative Slimline ceiling hood is 900mm wide and is available in a choice of two finishes; matt white or stainless steel with both options featuring a white glass panel. This extractor can be easily installed either across the joists or between them, meaning there is no need for a bulkhead or dropped ceiling.



### DETAILS & FEATURES

<b>Installation</b>	Ceiling installation
<b>Finishes</b>	Stainless steel & white or white & white
<b>Control</b>	Remote control included
<b>Lighting</b>	● 4000K LED
<b>Cut out (mm)</b>	855 x 390
<b>Air outlet (mm)</b>	Ø 150 or 220 x 90

### PERFORMANCE A+

<b>Speed setting</b>	<b>MIN</b>	<b>MAX</b>	<b>BOOST</b>
Extraction capacity (m <sup>3</sup> /h)	300	516	600
Accoustic power (dBA)	61	70	72

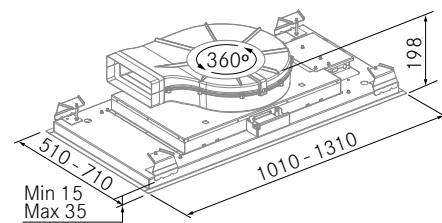
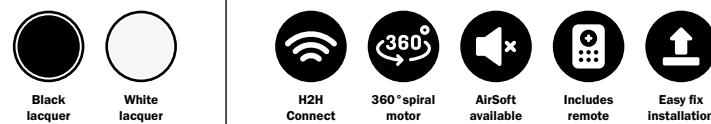
### SIZE & FINISHES

<b>Dimensions (mm)</b>	<b>Finish</b>	<b>SKU</b>
900 x 440	Stainless steel & white	<b>275900</b>
900 x 440	White & white	<b>275910</b>



# SENSE 360

The show-stopping Sense 360 ceiling hood is available in matt white or black finish and features an eye-catching LED perimeter light panel in a choice of temperatures: 3000K or 4000K. The Sense 360 includes a premium German motor as standard and is slim as standard; with an overall height of only 198mm. The spiral motor and easy fix mounting clips allow for easy installation.



## DETAILS & FEATURES

<b>Installation</b>	False ceiling made to withstand 30kg
<b>Finishes</b>	White lacquer or Black lacquer
<b>Control</b>	Remote control included
<b>Lighting</b>	● 3000K or ● 4000K LED
<b>Cut out (mm)</b>	985 x 485
<b>Air outlet (mm)</b>	Ø 150 or 220 x 90

## PERFORMANCE A

Speed setting	MIN	MAX	BOOST
Extraction capacity (m³/h)	175	563	734
Acoustic power (dBA)	35	58	63

## OPTIONAL EXTRAS

Flat plasma filter 800 **90373** • Carbon Filter FC + roof **90384**  
Airsoft 2 silencer duct **90310** • H2H Induction hob **511510**



## SIZE & FINISHES

Dimensions (mm)	Finish	Lighting	SKU
1010 x 510	White lacquer	● 3000K	<b>273680</b>
1010 x 510	White lacquer	● 4000K	<b>273690</b>
1010 x 510	Black lacquer	● 3000K	<b>273700</b>
1010 x 510	Black lacquer	● 4000K	<b>273710</b>

Get in touch with our team of experts for more information

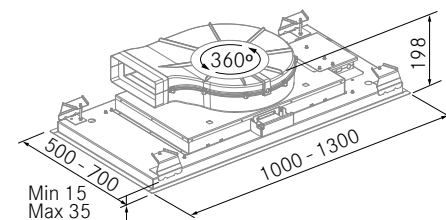
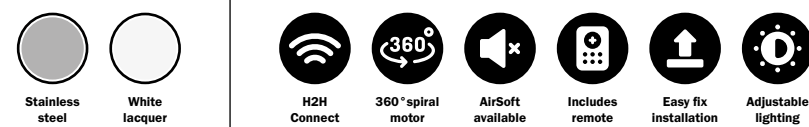
Sense 360 canopy hood in matt black (3000K)  
Frank Anthony Kitchens showroom display, Warton





# NITRO 360

Sleek, quiet and elegant, our popular Nitro 360 ceiling hood features a premium German motor and is available in stainless steel or matt white finish with LED striplights that include temperature selector. The Nitro 360 is slim as standard; with an overall height of only 198mm. The spiral motor and easy fix mounting clips allow for easy installation.



## DETAILS & FEATURES

<b>Installation</b>	False ceiling made to withstand 30kg
<b>Finishes</b>	White lacquer or Stainless steel
<b>Control</b>	Remote control included
<b>Lighting</b>	Adjustable LED
<b>Cut out (mm)</b>	970 x 475
<b>Air outlet (mm)</b>	Ø 150 or 220 x 90

## PERFORMANCE A++

Speed setting	MIN	MAX	BOOST
Extraction capacity (m <sup>3</sup> /h)	200	556	698
Accoustic power (dBA)	38	61	63

### OPTIONAL EXTRAS

Flat plasma filter 800 **90373** • Carbon Filter FC + roof **90384**  
Airsoft 2 silencer duct **90310** • H2H Induction hob **511510**

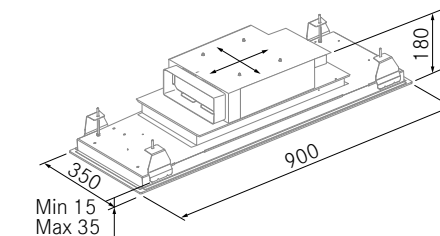
## SIZE & FINISHES

Dimensions (mm)	Finish	SKU
1000 x 500	Stainless steel	<b>272870</b>
1000 x 500	White lacquer	<b>272890</b>

Get in touch with our team of experts for more information

# AERO COMPACT

With measurements of 900mm x 350mm and an overall height of only 180mm, the Aero ceiling hood is compact in its design. Available in stainless steel or matt white finish and featuring 4 x LED lights, the Aero is a versatile option for installation into tight spaces.



## DETAILS & FEATURES

<b>Installation</b>	False ceiling made to withstand 20kg
<b>Finishes</b>	White or Stainless steel
<b>Control</b>	Remote control included
<b>Lighting</b>	● 3000K LED
<b>Cut out (mm)</b>	870 x 325
<b>Air outlet (mm)</b>	Ø 150 or 220 x 90

## PERFORMANCE A

Speed setting	MIN	MAX	BOOST
Extraction capacity (m <sup>3</sup> /h)	142	428	518
Accoustic power (dBA)	38	58	61

### OPTIONAL EXTRAS

Flat plasma filter 800 **90373** • Airsoft 2 silencer duct **90310**  
H2H Induction hob **511510**

## SIZE & FINISHES

Dimensions (mm)	Finish	SKU
900 x 350	Stainless steel	<b>271340</b>
900 x 350	White	<b>271360</b>

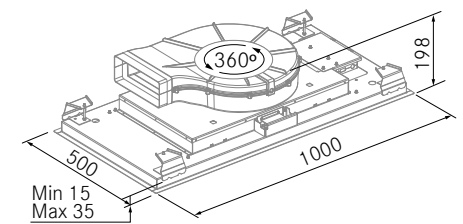
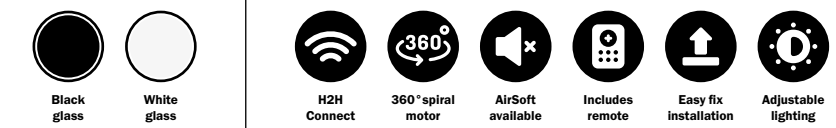
orders@miroproducts.co.uk • 01282 450 238





# MOON 360

The Moon 360 ceiling hood is available in black or white glass and features a premium German motor as standard. The LED striplights are incorporated within the glass and include a temperature selector. The Moon 360 is slim as standard; with an overall height of only 198mm. The spiral motor and easy fix mounting clips allow for easy installation.



## DETAILS & FEATURES

<b>Installation</b>	False ceiling made to withstand 35kg
<b>Finishes</b>	White glass or black glass
<b>Control</b>	Remote control included
<b>Lighting</b>	Adjustable LED
<b>Cut out (mm)</b>	970 x 475
<b>Air outlet (mm)</b>	Ø 150 or 220 x 90

## PERFORMANCE A++

Speed setting	MIN	MAX	BOOST
Extraction capacity (m³/h)	200	556	698
Accoustic power (dBA)	38	61	63

## OPTIONAL EXTRAS

Flat plasma filter 800 **90373** • Carbon Filter FC + roof **90384**  
Airsoft 2 silencer duct **90310** • H2H Induction hob **511510**

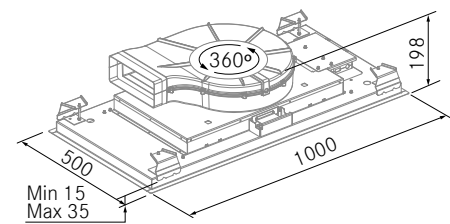
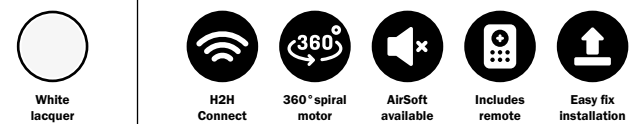
## SIZE & FINISHES

Dimensions (mm)	Finish	SKU
1000 x 500	White glass	<b>272870</b>
1000 x 500	Black glass	<b>272890</b>



# BRIGHT 360

The Bright 360 matt white ceiling hood features a large 50W LED light panel that creates fantastic a powerful ambience of light. Including a premium German motor as standard and with an overall height of only 198mm, the Bright 360 features our spiral motor and easy fix mounting clips allow for easy installation.



## DETAILS & FEATURES

<b>Installation</b>	False ceiling made to withstand 30kg
<b>Finishes</b>	White lacquer
<b>Control</b>	Remote control included
<b>Lighting</b>	● 4000K LED
<b>Cut out (mm)</b>	970 x 475
<b>Air outlet (mm)</b>	Ø 150 or 220 x 90

## PERFORMANCE A++

Speed setting	MIN	MAX	BOOST
Extraction capacity (m <sup>3</sup> /h)	194	594	735
Accoustic power (dBA)	38	58	63

## OPTIONAL EXTRAS

Flat plasma filter 800 **90373** • Carbon Filter FC + roof **90384**  
 Airsoft 2 silencer duct **90310** • H2H Induction hob **511510**

## SIZE & FINISHES

Dimensions (mm)	Finish	SKU
1000 x 500	White lacquer	<b>273670</b>

Get in touch with our team of experts for more information

Bright 360 ceiling hood







# SURFACE HOODS

A selection of elegant, high quality surface hoods designed for modern day kitchen living.



**Envy venting hob**  
John Willox Kitchens showroom display, Ellon

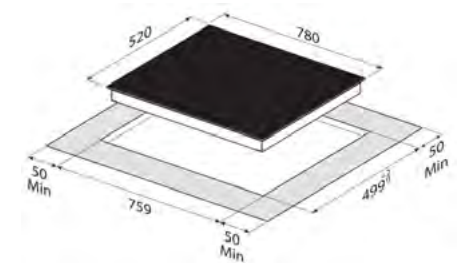


For ducting or recirculating

# ENVY

The A++ energy rated Envy features two OCTA induction plates by EGO with 2 bridge zones. The Envy's powerful waterproof brushless motor is positioned under the glass and offers a total height of 203mm, allowing for a greater storage area underneath. The Envy is also equipped with an internal water collector for humidity and accidental spillage.

- 4 induction zones • 2 bridge zones • Booster
- Pot detection • Child lock • Timer function



## DETAILS & FEATURES

<b>Installation</b>	Induction hob
<b>Finishes</b>	Black
<b>Control</b>	Electronic touch control
<b>Cut out (mm)</b>	760 x 500
<b>Air outlet (mm)</b>	Ø 150 or 220 x 90

The Envy is supplied with a recirculation filter as standard.

## PERFORMANCE A++

Speed setting	MIN	MAX	BOOST
Extraction capacity (m <sup>3</sup> /h)	228	606	712
Accoustic power (dBA)	44	67	70

## OPTIONAL EXTRAS

Flat plasma filter 800 **90373** • Recirculation ducting kit **90902**

## SIZE & FINISHES

Dimensions (mm)	Finish	SKU
780 x 520	Black	<b>275660</b>



# FLOW 5

The Flow 5 is A+++ energy rated and features 2 bridge zones. With an overall depth of only 200mm that allows for a greater storage area underneath, this elegant venting hob features slider touch controls and a 3.5 litre capacity spill tray. With high spec hob and powerful motor, the Flow 5 is the perfect option for cooking enthusiasts.

## HIGH SPEED AIR FLOW

Thanks to its innovative design, the Suction Zone of the Flow 5 produces a high-speed air flow generating an attraction effect that expands higher, attracting the fumes towards the centre and drawing them inside.

## SLIDER CONTROL

Quick temperature selector with the slider: just touch the desired power level with a finger on the touch screen. The same happens with the suction zone, selecting the desired power.

## BRIDGE FUNCTION

The hob allows you to associate two cooking zones to create a single zone where you can use large containers or cook several dishes at the same time, with maximum flexibility when placing the containers.

Recall function • Independent timers • Container detection  
Stop & go function • Heat maintenance • Timer function  
Heat boost function • Multiple safety features

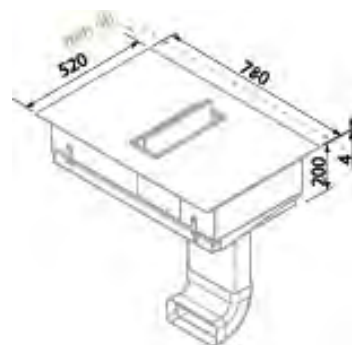


### DETAILS & FEATURES

<b>Installation</b>	Induction hob
<b>Finishes</b>	Black
<b>Control</b>	Electronic touch control
<b>Cut out (mm)</b>	760 x 490
<b>Air outlet (mm)</b>	Ø 150 or 220 x 90

### PERFORMANCE A+++

Speed setting	MIN	MAX	BOOST
Extraction capacity (m³/h)	176	497	660
Accoustic power (dBA)	40	66	76



### SIZE & FINISHES

Dimensions (mm)	Finish	SKU
780 x 580	Black	272510

### OPTIONAL EXTRAS

Box-R socle (H3) **90267** • Plasma filter 750 **90413**  
Flat plasma filter 800 **90373** • Plinth grill **90376**  
Recirculation Box-R Socle H6 **90404**

Get in touch with our team of experts for more information

Flow 5 venting hob





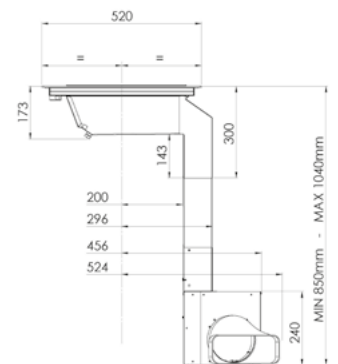


**Toledo venting hob**  
Project by Robert Sinclair Interiors, Forfar

# TOLEDO

The Toledo is a popular, well-equipped venting induction hob that includes slide touch controls and one bridge zone. With an overall width of 860mm, the Toledo is Miro's largest venting hob option and features a motor box that can be positioned to the front or the back to allow for full depth drawers.

- 4 induction zones • Bridge function • Power boost
- Timer function • Stop & go function
- Residual heat indicator • Security lock



## DETAILS & FEATURES

<b>Installation</b>	Induction hob
<b>Finishes</b>	Black
<b>Control</b>	Electronic touch control
<b>Cut out (mm)</b>	815 x 504
<b>Air outlet (mm)</b>	Ø 150 or 220 x 90

## PERFORMANCE A

<b>Speed setting</b>	<b>MIN</b>	<b>MAX</b>	<b>BOOST</b>
Extraction capacity (m <sup>3</sup> /h)	226	587	648
Accoustic power (dBA)	50	69	71

## OPTIONAL EXTRAS

Box-R socle (H3) **90267** • Flat plasma filter 800 **90373**

## SIZE & FINISHES

<b>Dimensions (mm)</b>	<b>Finish</b>	<b>SKU</b>
860 x 520	Black	<b>275580</b>

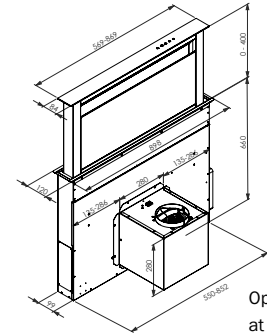


# OPERA

The Opera downdraft extractor is touch control operated and is supplied in black glass and stainless steel finish. Featuring a powerful LED striplight to illuminate the cooking area, the Opera is a popular, elegant, high spec addition to our surface hood selection.



Black glass



## DETAILS & FEATURES

<b>Installation</b>	Built-in
<b>Finishes</b>	Black glass & stainless steel
<b>Control</b>	Touch control
<b>Lighting</b>	5500K LED
<b>Cut out (mm)</b>	878 x 108
<b>Air outlet (mm)</b>	Ø 150 or 220 x 90

## PERFORMANCE A

Speed setting	MIN	MAX	BOOST
Extraction capacity (m <sup>3</sup> /h)	311	603	710
Accoustic power (dBA)	48	61	64

## OPTIONAL EXTRAS

Recirculation kit **90285**

## SIZE & FINISHES

Dimensions (mm)	Finish	SKU
900	Black glass	<b>275590</b>



Opera downdraft extractor  
Project by Dual Designs, Surrey





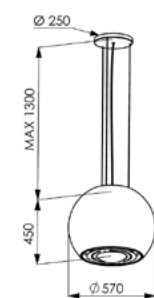
# ISLAND HOODS

A stylish and functional selection of island extractors, perfect for open plan kitchen living.



# ASTRO PURE

The Astro Pure is a stunning island hood which will be the focal point of any modern kitchen. Each one is individually made with Murano glass, meaning every one is unique in its own way. Available in white, bronze or black, it includes a plasma Filter as standard offering 95% odour reduction capacity (EN 61591), as well as the total elimination of all viruses, microbes and bacteria present in the air.



## DETAILS & FEATURES

<b>Installation</b>	Ceiling mounted
<b>Finishes</b>	White glass or Black glass or Bronze glass
<b>Control</b>	Remote control included
<b>Lighting</b>	● 4000K LED
<b>Cut out (mm)</b>	-
<b>Air outlet (mm)</b>	-

## PERFORMANCE A

Speed setting	MIN	MAX	BOOST
Extraction capacity (m³/h)	-	450	-
Accoustic power (dBA)	-	67	-

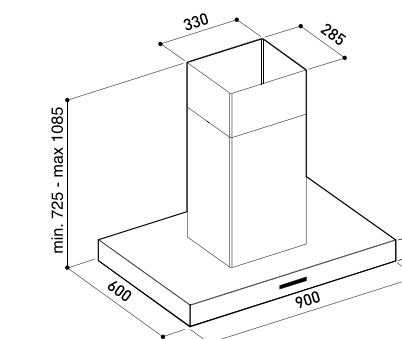
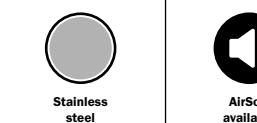
## SIZE & FINISHES

Dimensions (mm)	Finish	SKU
570 x 450	White Murano glass	<b>275550</b>
900 x 350	Black Murano glass	<b>275560</b>
900 x 350	Bronze Murano glass	<b>275570</b>



# URBAN PLUS

The stylish Urban Plus stainless-steel T-shaped island hood offers excellent extraction performance and also features a touch control panel with LED lighting.



## DETAILS & FEATURES

<b>Installation</b>	Ceiling mounted
<b>Finishes</b>	Stainless steel
<b>Control</b>	Electronic touch control
<b>Lighting</b>	● 3000K LED
<b>Cut out (mm)</b>	-
<b>Air outlet (mm)</b>	Ø 150 or 220 x 90

## PERFORMANCE C

Speed setting	MIN	MAX	BOOST
Extraction capacity (m³/h)	250	520	600
Accoustic power (dBA)	46	64	68

### OPTIONAL EXTRAS

Standard carbon filter **90802** • Plasma filter C600 **90372**  
Airsoft 1 silencer duct **90182**

## SIZE & FINISHES

Dimensions (mm)	Finish	SKU
900	Stainless steel	<b>264080</b>





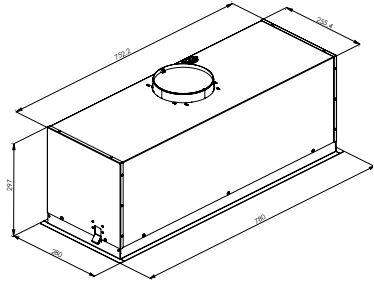
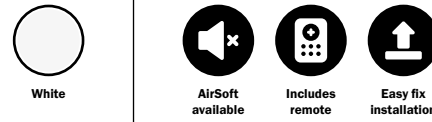
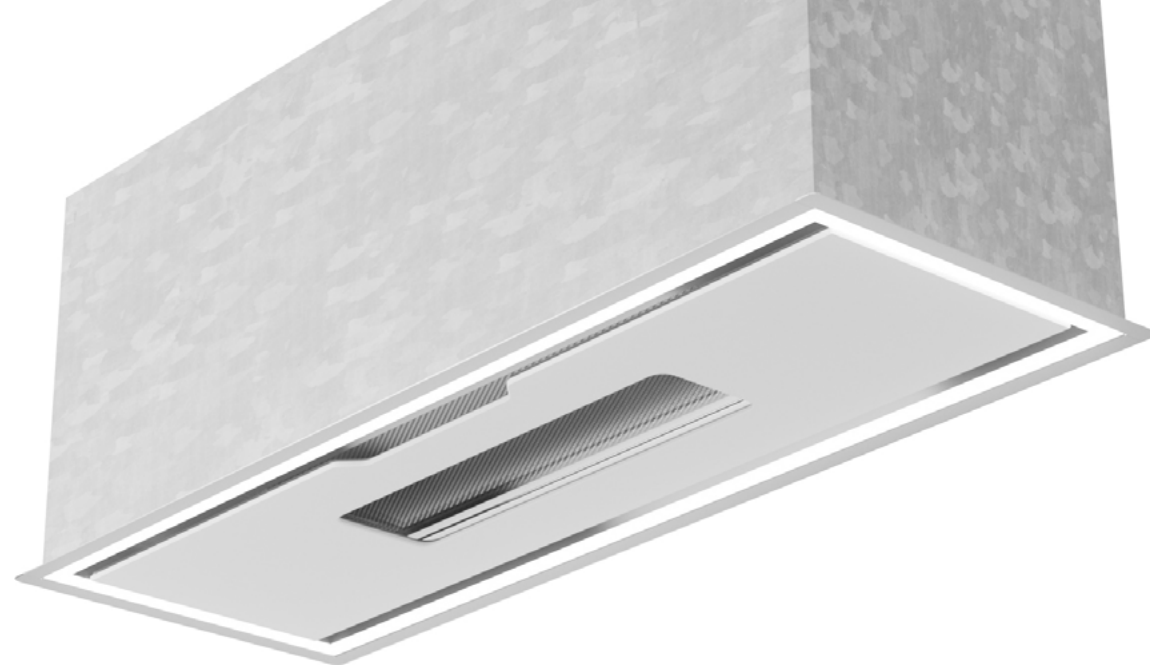
# CANOPY HOODS

An extensive collection of discreet and elegant canopy hoods to suit all kitchen styles.



# LUNA

The Luna is white with a white glass panel and features fantastic perimeter LED lighting. Controlled by an illuminated remote control, the Luna offers excellent extraction performance. As the Luna is only 280mm deep, this canopy hood can be installed into any wall cabinet that is 800mm wide plus.



## DETAILS & FEATURES

<b>Installation</b>	Cut out / built in
<b>Finishes</b>	White
<b>Control</b>	Remote control included
<b>Lighting</b>	● 4000K LED
<b>Cut out (mm)</b>	761 x 263
<b>Air outlet (mm)</b>	Ø 150 or 220 x 90

## PERFORMANCE B

Speed setting	MIN	MAX	BOOST
Extraction capacity (m <sup>3</sup> /h)	317	608	713
Accoustic power (dBA)	49	56	67

### OPTIONAL EXTRAS

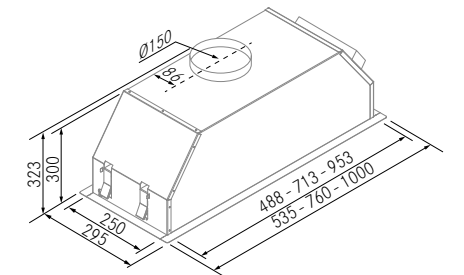
Charcoal filters **90801** • Plasma filter C600 **90372**  
Airsoft 1 silencer duct **90182**

## SIZE & FINISHES

Dimensions (mm)	Finish	SKU
780 x 280	White	<b>275790</b>

# GA FILO

Our popular GA Filo canopy hood is sleek and versatile. With an overall depth of only 295mm and 1mm discreet profile, the GA Filo is available with various motor options and includes remote control as standard.



## DETAILS & FEATURES

<b>Installation</b>	Cut out / built in
<b>Finishes</b>	Stainless steel
<b>Control</b>	Remote control included
<b>Lighting</b>	● 3000K LED*
<b>Cut out (mm)</b>	497 x 259 or 730 x 259 or 970 x 259
<b>Air outlet (mm)</b>	Ø 150 or 220 x 90

## VF600 MOTOR B

Speed setting	MIN	MAX	BOOST
Extraction capacity (m <sup>3</sup> /h)	213	395	571
Accoustic power (dBA)	40	52	59

\*4000K available. Please get in touch.

## VF700 MOTOR A

Speed setting	MIN	MAX	BOOST
Extraction capacity (m <sup>3</sup> /h)	216	405	644
Accoustic power (dBA)	40	48	58

## 1100GP MOTOR A++

Speed setting	MIN	MAX	BOOST
Extraction capacity (m <sup>3</sup> /h)	414	610	1015
Accoustic power (dBA)	40	57	65

### OPTIONAL EXTRAS

Cylindric Plasma Filter C1000 **90371** • Cylindric Plasma Filter C600 **90372**  
Carbon Filter FC-Plus **90381** • Recirculation kit **90134**  
Airsoft 1 silencer duct **90182** • H2H Induction hob **511510**

## SIZE & FINISHES

Dimensions (mm)	Finish	Motor	SKU
535 x 295	Stainless steel	VF600	<b>271480</b>
760 x 295	Stainless steel	VF700	<b>271490</b>
760 x 295	Stainless steel	1100GP	<b>271500</b>
1000 x 295	Stainless steel	VF700	<b>271510</b>
1000 x 295	Stainless steel	1100GP	<b>271520</b>



# TEMPO

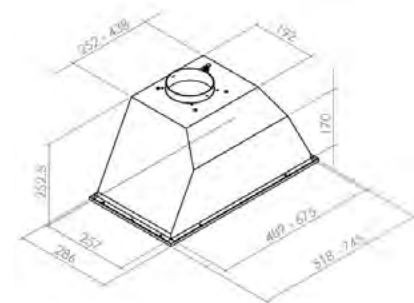
With an overall depth of only 286mm, the Tempo can be installed comfortably into any wall cabinet or mantle. It has a compact overall height of just over 250mm, so can also be installed into shallow wall cabinets too. The Tempo features two powerful LED lights, three speed settings and an easy slide control panel.



Stainless steel



AirSoft available



## DETAILS & FEATURES

<b>Installation</b>	Cut out / built in
<b>Finishes</b>	Stainless steel
<b>Control</b>	Easy slide control panel
<b>Lighting</b>	● 3000K LED
<b>Cut out (mm)</b>	495 x 263 or 681 x 273
<b>Air outlet (mm)</b>	Ø 150 or 220 x 90

## PERFORMANCE C

Speed setting	MIN	MAX	BOOST
Extraction capacity (m³/h)	263	425	-
Accoustic power (dBA)	51	64	-

### OPTIONAL EXTRAS

Charcoal filters **90801** • Airsoft 1 silencer duct **90182**

## SIZE & FINISHES

Dimensions (mm)	Finish	SKU
518 x 286	Stainless steel	<b>275730</b>
745 x 286	Stainless steel	<b>275740</b>



# STEALTH

A sleek, versatile addition to our extensive canopy hood selection. Available in stainless steel or matt black finish and in a choice of three sizes, the Stealth offers excellent extraction performance as standard, and features a sleek luminous control panel.



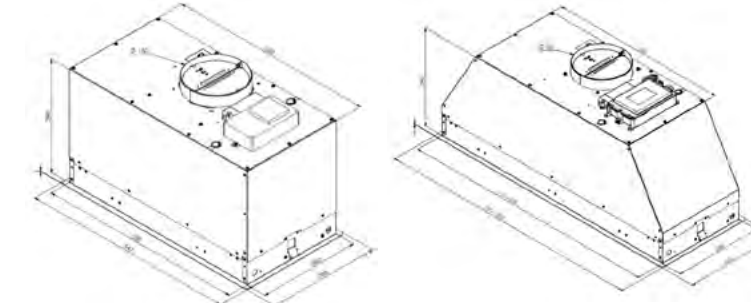
Matt black



Stainless steel



AirSoft available



## DETAILS & FEATURES

<b>Installation</b>	Cut out / built in
<b>Finishes</b>	Stainless steel or matt black
<b>Control</b>	Luminous soft touch control panel
<b>Lighting</b>	● 3000K LED
<b>Cut out (mm)</b>	526 x 266 or 756 x 266 or 926 x 266
<b>Air outlet (mm)</b>	Ø 150 or 220 x 90

## PERFORMANCE A

Speed setting	MIN	MAX	BOOST
Extraction capacity (m³/h)	301	593	742
Accoustic power (dBA)	46	63	68

### OPTIONAL EXTRAS

Charcoal filters **90801** • Cylindric Plasma Filter C600 **90372**  
Airsoft 1 silencer duct **90182**

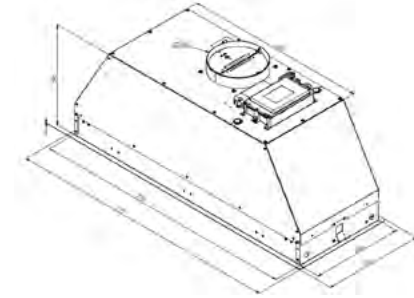
## SIZE & FINISHES

Dimensions (mm)	Finish	SKU
542 x 285	Stainless steel	<b>275670</b>
542 x 285	Matt black	<b>275700</b>
772 x 285	Stainless steel	<b>275680</b>
772 x 285	Matt black	<b>275710</b>
942 x 285	Stainless steel	<b>275690</b>
942 x 285	Matt black	<b>275720</b>



# VERVE

Sleek and discreet, the new Verve canopy hood from Miro is available in either stainless or matt black finish. This powerful canopy hood includes a 4000K LED light strip and a stylish luminous control panel. With a slim overall depth of only 285mm, it will fit into all wall cabinets that are 800mm wide plus.



## DETAILS & FEATURES

<b>Installation</b>	Cut out / built in
<b>Finishes</b>	Stainless steel or Matt black
<b>Control</b>	Luminous soft touch control panel
<b>Lighting</b>	4000K LED
<b>Cut out (mm)</b>	756 x 266
<b>Air outlet (mm)</b>	Ø 150 or 220 x 90

## PERFORMANCE A

Speed setting	MIN	MAX	BOOST
Extraction capacity (m³/h)	338	593	742
Accoustic power (dBA)	46	63	68

### OPTIONAL EXTRAS

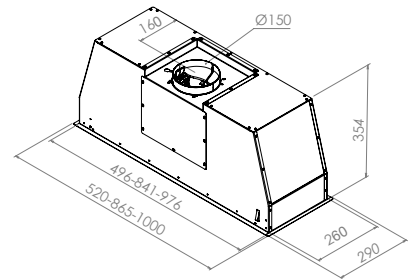
Charcoal filters **90801** • Cylindric Plasma Filter C600 **90372**  
Airsoft 1 silencer duct **90182** • Remote control **90901**

## SIZE & FINISHES

Dimensions (mm)	Finish	SKU
772 x 285	Stainless steel	<b>275750</b>
772 x 285	Matt black	<b>275760</b>

# ETHOS PRO

The Ethos Pro canopy hood is an exciting new addition to Miro's Professional canopy hood selection and features all our latest cutting edge technology. The Ethos Pro features an LED temperature selector so you can select your perfect light ambience.



## DETAILS & FEATURES

<b>Installation</b>	Cut out / built in
<b>Finishes</b>	Stainless steel
<b>Control</b>	Luminous soft touch control panel
<b>Lighting</b>	Adjustable LED
<b>Cut out (mm)</b>	847 x 264 or 1132 x 264
<b>Air outlet (mm)</b>	Ø 150 or 220 x 90

## PERFORMANCE A

Speed setting	MIN	MAX	BOOST
Extraction capacity (m³/h)	238	584	766
Accoustic power (dBA)	41	63	69

### OPTIONAL EXTRAS

Charcoal filters **90801** • Cylindric Plasma Filter C1000 **90371**  
Airsoft 1 silencer duct **90182**

## SIZE & FINISHES

Dimensions (mm)	Finish	SKU
865 x 290	Stainless steel	<b>275770</b>
1150 x 290	Stainless steel	<b>275780</b>



# VIGOR

The Vigor is perfect for customers who demand high performance from their extractor. With a discreet 1mm profile, this Vigor is supplied with our premium 1100GP motor, offering exceptional performance with minimal noise and includes remote control as standard.



Stainless steel



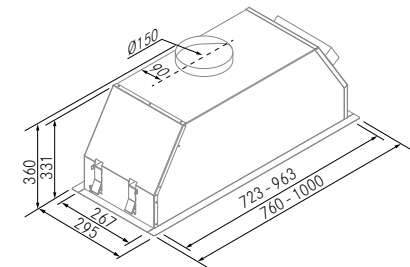
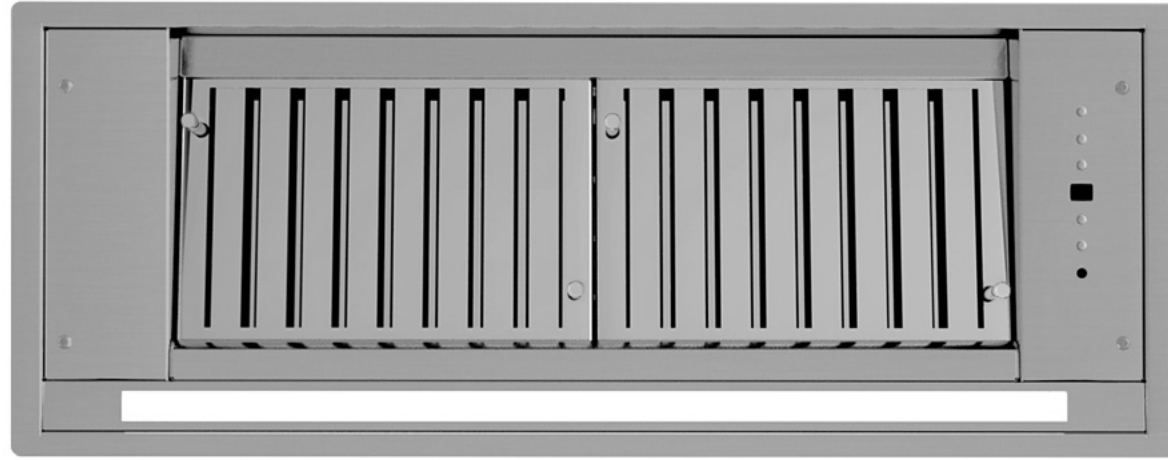
H2H Connect



AirSoft available



Includes remote



## DETAILS & FEATURES

<b>Installation</b>	Cut out / built in
<b>Finishes</b>	Stainless steel
<b>Control</b>	Luminous soft touch control panel
<b>Lighting</b>	● 3000K LED
<b>Cut out (mm)</b>	735 x 280 or 975 x 280
<b>Air outlet (mm)</b>	Ø 150 or 220 x 90

## PERFORMANCE A+

Speed setting	MIN	MAX	BOOST
Extraction capacity (m <sup>3</sup> /h)	267	607	973
Accoustic power (dBA)	36	56	64

### OPTIONAL EXTRAS

Cylindric Plasma Filter C1000 **90371** • Cylindric Plasma Filter C600 **90372**  
Airsoft 1 silencer duct **90182** • H2H Induction hob **511510**

## SIZE & FINISHES

Dimensions (mm)	Finish	SKU
760 x 295	Stainless steel	<b>272800</b>
1000 x 295	Stainless steel	<b>272810</b>

Get in touch with our team of experts for more information

# FEEL

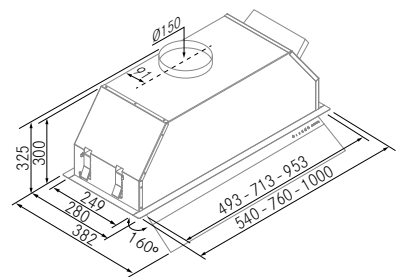
Our Feel canopy hood is only 280mm deep and includes an easy touch control fold away glass visor. The Feel is elegant in its design and features a powerful LED striplight providing an excellent ambience of light onto the cooking area below.



Stainless steel



AirSoft available



## DETAILS & FEATURES

<b>Installation</b>	Cut out / built in
<b>Finishes</b>	Stainless steel
<b>Control</b>	Touch control glass panel
<b>Lighting</b>	● 3000K LED
<b>Cut out (mm)</b>	259 x 730
<b>Air outlet (mm)</b>	Ø 150 or 220 x 90

## PERFORMANCE A

Speed setting	MIN	MAX	BOOST
Extraction capacity (m <sup>3</sup> /h)	234	424	644
Accoustic power (dBA)	40	51	62

### OPTIONAL EXTRAS

Cylindric Plasma Filter C1000 **90371** • Cylindric Plasma Filter C600 **90372**  
Carbon Filter FC-Plus **90381** • Recirculation kit **90134**  
Airsoft 1 silencer duct **90182**

## SIZE & FINISHES

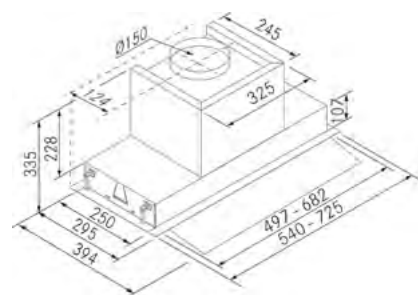
Dimensions (mm)	Finish	SKU
760 x 280	Stainless steel	<b>271380</b>

orders@miroproducts.co.uk • 01282 450 238



# SOUL

Our popular Soul canopy hood is available in two size options and features fold away glass visor. With a discreet 1mm profile with an overall depth of only 295mm, this model can be installed into any wall cabinet. The Soul also has the option to duct out from the rear which is an advantage when installing into shallow cabinets.



## DETAILS & FEATURES

<b>Installation</b>	Cut out / built in
<b>Finishes</b>	Stainless steel
<b>Control</b>	Remote control
<b>Lighting</b>	● 3000K LED
<b>Cut out (mm)</b>	505 x 260 or 690 x 260
<b>Air outlet (mm)</b>	Ø 150 or 220 x 90

## VF600 MOTOR A

Speed setting	MIN	MAX	BOOST
Extraction capacity (m³/h)	203	370	617
Accoustic power (dBA)	42	51	59

## VF700 PERFORMANCE A

Speed setting	MIN	MAX	BOOST
Extraction capacity (m³/h)	241	430	675
Accoustic power (dBA)	41	52	63

## OPTIONAL EXTRAS

Cylindric Plasma Filter C1000 **90371** • Cylindric Plasma Filter C600 **90372**  
 Carbon Filter FC-Plus **90381** • Recirculation kit **90134**  
 Airsoft 1 silencer duct **90182** • H2H Induction hob **511510**

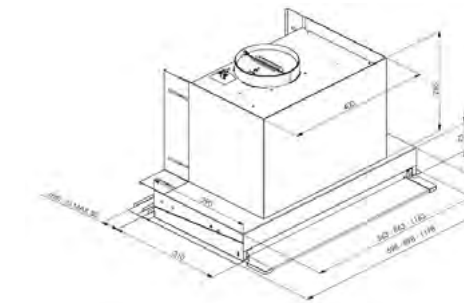
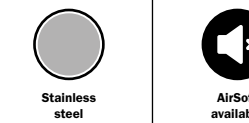
## SIZE & FINISHES

Dimensions (mm)	Finish	Motor	SKU
540 x 295	Stainless steel	VF600	<b>272210</b>
725 x 295	Stainless steel	VF700	<b>272220</b>

Get in touch with our team of experts for more information

# STATUS

The Status fully integrated built-in hood is available in three size options; 600, 900 or 1200mm. The overall depth of this model can be adjusted between 310mm and 360mm, enabling it to fit perfectly into wall cabinets. The Status features a protective clear glass visor, powerful LED lighting and offers excellent extraction performance as standard.



## DETAILS & FEATURES

<b>Installation</b>	Fully integrated
<b>Finishes</b>	Stainless steel
<b>Control</b>	Electronic touch control panel
<b>Lighting</b>	● 3000K LED
<b>Cut out (mm)</b>	-
<b>Air outlet (mm)</b>	Ø 150 or 220 x 90

orders@miroproducts.co.uk • 01282 450 238

## PERFORMANCE A

Speed setting	MIN	MAX	BOOST
Extraction capacity (m³/h)	331	620	760
Accoustic power (dBA)	50	62	67

## OPTIONAL EXTRAS

Charcoal filters **90801** • Airsoft 1 silencer duct **90182**

## SIZE & FINISHES

\*Can be adjusted between 310-360mm during installation

Dimensions (mm)	Finish	SKU
600 x 310*	Stainless steel	<b>275800</b>
900 x 310*	Stainless steel	<b>275810</b>
1200 x 310*	Stainless steel	<b>275820</b>





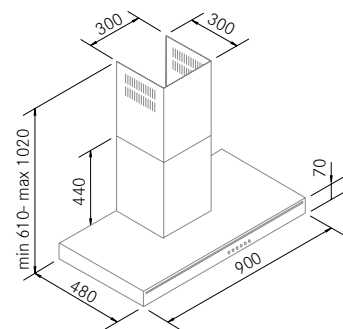
# WALL HOODS

Our selection of powerful and stylish wall hoods help create a statement piece within any kitchen.



# STREAM

The Stream wall hood offers performance and style. This contemporary matt black wall hood includes eye-catching LED lighting with touch control panel and includes a powerful, silence plus motor as standard.



## DETAILS & FEATURES

<b>Installation</b>	Wall mounted
<b>Finishes</b>	Black lacquer
<b>Control</b>	Touch control panel
<b>Lighting</b>	3000K LED
<b>Cut out (mm)</b>	-
<b>Air outlet (mm)</b>	Ø 150 or 220 x 90

## PERFORMANCE A

Speed setting	MIN	MAX	BOOST
Extraction capacity (m <sup>3</sup> /h)	221	400	646
Accoustic power (dBA)	47	60	65

### OPTIONAL EXTRAS

Cylindric Plasma Filter C1000 **90371** • Cylindric Plasma Filter C600 **90372**  
Carbon Filter FC-Plus **90381** • Recirculation kit **90134**  
Airsoft 1 silencer duct **90182** • H2H Induction hob **511510**

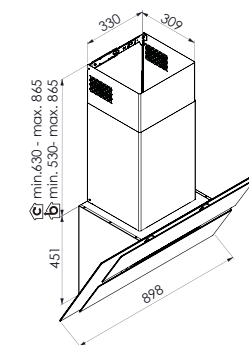
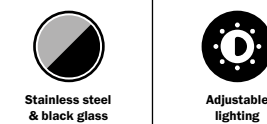
## SIZE & FINISHES

Dimensions (mm)	Finish	SKU
900 x 480	Black lacquer	<b>271570</b>



# PHANTOM

Miro's prestigious Phantom black glass angled wall hood includes all the latest cutting edge features. With noise reduction technology, this high spec wall mounted hood features a powerful brushless motor and touch control panel that is easily accessible at the bottom of the hood.



## DETAILS & FEATURES

<b>Installation</b>	Wall mounted
<b>Finishes</b>	Stainless steel & black glass
<b>Control</b>	Touch control panel
<b>Lighting</b>	Adjustable LED
<b>Cut out (mm)</b>	-
<b>Air outlet (mm)</b>	Ø 150 or 220 x 90

## PERFORMANCE A

Speed setting	MIN	MAX	BOOST
Extraction capacity (m <sup>3</sup> /h)	240	580	700
Accoustic power (dBA)	38	62	64

### OPTIONAL EXTRAS

Ceramic Sorbex Regeneration Filter (Lifetime) **90805**

## SIZE & FINISHES

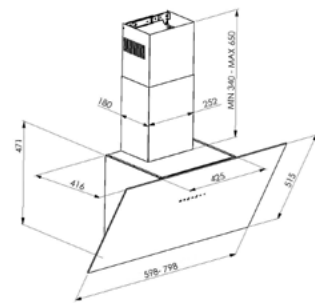
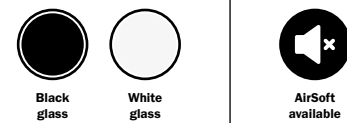
Dimensions (mm)	Finish	SKU
900	Stainless steel & black glass	<b>275870</b>





# SIGMA

The Sigma wall hood from Miro is available in either black or white glass with a choice of two size options; 600 or 800mm. Featuring an electronic touch control panel that is conveniently located in the centre of the hood, the Sigma also includes two LED lights and offers excellent extraction performance as standard.



## DETAILS & FEATURES

<b>Installation</b>	Wall mounted
<b>Finishes</b>	Black glass or white glass
<b>Control</b>	Electronic touch control panel
<b>Lighting</b>	● 3000K LED
<b>Cut out (mm)</b>	-
<b>Air outlet (mm)</b>	Ø 150 or 220 x 90

## PERFORMANCE A

Speed setting	MIN	MAX	BOOST
Extraction capacity (m <sup>3</sup> /h)	329	631	777
Accoustic power (dBA)	43	57	62

### OPTIONAL EXTRAS

Charcoal filters **90801** • Cylindric Plasma Filter C600 **90372**  
Airsoft 1 silencer duct **90182**

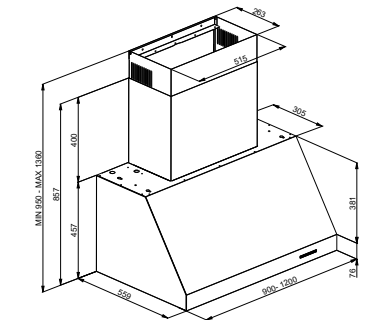
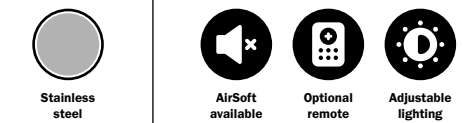
## SIZE & FINISHES

Dimensions (mm)	Finish	SKU
600	Black glass	<b>275830</b>
600	White glass	<b>275840</b>
800	Black glass	<b>275850</b>
800	White glass	<b>275860</b>



# HERITAGE PRO

The Heritage Pro is equipped with powerful brushless motor, therefore perfect for customers who demand high performance from their extractor. Also featuring high quality professional hybrid baffle filters and a luminous touch control panel that is conveniently located at the front of the hood.



## DETAILS & FEATURES

<b>Installation</b>	Wall mounted
<b>Finishes</b>	Stainless steel
<b>Control</b>	Luminous touch control panel
<b>Lighting</b>	Adjustable LED
<b>Cut out (mm)</b>	-
<b>Air outlet (mm)</b>	Ø 150 or 220 x 90

orders@miroproducts.co.uk • 01282 450 238

## PERFORMANCE A

Speed setting	MIN	MAX	BOOST
Extraction capacity (m <sup>3</sup> /h)	252	611	805
Accoustic power (dBA)	41	63	69

### OPTIONAL EXTRAS

Charcoal filters **90801** • Cylindric Plasma Filter C1000 **90371**  
Airsoft 1 silencer duct **90182** • Remote control **90901**

## SIZE & FINISHES

Dimensions (mm)	Finish	SKU
900 x 559	Stainless steel	<b>275880</b>
1200 x 559	Stainless steel	<b>275890</b>





# URBAN PLUS WALL

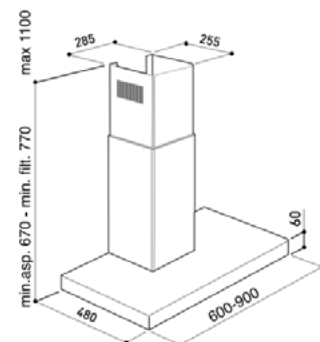
The stylish Urban Plus stainless-steel T-shaped wall hood offers excellent extraction performance with push button control panel and LED lighting.



Stainless steel



AirSoft available



## DETAILS & FEATURES

<b>Installation</b>	Wall mounted
<b>Finishes</b>	Stainless steel
<b>Control</b>	Touch control panel
<b>Lighting</b>	● 3000K LED
<b>Cut out (mm)</b>	-
<b>Air outlet (mm)</b>	Ø 150 or 220 x 90

## PERFORMANCE C

Speed setting	MIN	MAX	BOOST
Extraction capacity (m <sup>3</sup> /h)	250	600	-
Acoustic power (dBA)	46	68	-

## OPTIONAL EXTRAS

Carbon filter **90802** • Cylindric Plasma Filter C600 **90372**  
Airsoft 1 silencer duct **90182**

## SIZE & FINISHES

Dimensions (mm)	Finish	SKU
600	Stainless steel	<b>277000</b>
900	Stainless steel	<b>277010</b>



Urban Plus wall hood  
Project by Stuart Frazer





# PRODUCT GRID

	Product	Page	FINISH						SIZES		EXTRAS					ENERGY	
			Stainless steel	White	Matt black	White lacquer	Black lacquer	White glass	Black glass	Bronze glass	Widths (mm)	Hood to-hob connectivity	360° spiral motor	Airsoft silencers	Easy fix installation	Adjustable lighting	Remote control
CEILING	Slimline	13	●	●						900							A+
	Sense 360	14				●	●			1010	●	●	●	●		●	A
	Nitro 360	16	●	●						1000	●	●	●	●	●	●	A++
	Aero Compact	17	●	●						900	●		●	●		●	A
	Moon 360	19								1000	●	●	●	●	●	●	A++
	Bright 360	20				●				1000	●	●	●	●		●	A+++
SURFACE	Envy	25								780							A++
	Flow 5	26								780							A+++
	Opera	28								900							A
ISLAND	Astro Pure	32								570						●	A
	Urban Plus Island	33	●							900			●				C
CANOPY	Luna	36		●						780			●	●		●	B
	GA Filo	37	●							535, 760, 1000	●		●			●	B A A++
	Tempo	38	●							518, 745			●				C
	Stealth	39	●		●					542, 772, 942			●				A
	Verve	40	●		●					772			●			○	A
	Ethos Pro	41	●							865, 1150			●		●		A
	Vigor	42	●							760, 1000	●		●			●	A+
	Feel	43	●							760			●				A
	Soul	44	●							540, 724	●		●			●	A
	Status	45	●							600, 900, 1200			●				A
	WALL	Stream	48				●				900	●		●			
Phantom		49	●							900				●			A
Sigma		50					●	●		600, 800			●				A
Heritage Pro		51	●							900, 1200			●	●	●		A
Urban Plus Wall		52	●							600, 900			●				C

## WARRANTY

For your peace of mind, all new Miro cooker hoods include full 2 years parts and labour warranty and are manufactured to the highest standard using only quality components.

However, if your product does ever let you down, Miro's network of quality service engineers are on hand to help.

Please register your details at [miroproducts.co.uk/register-warranty](https://miroproducts.co.uk/register-warranty) to validate your warranty.

Miro always recommends customers keep their proof of purchase.

## SERVICING

Miro's network of quality service engineers are on hand to help with servicing and maintaining your cooker hoods.

To find out more, or to book an engineer, please call **01282 450238** or email [office@miroproducts.co.uk](mailto:office@miroproducts.co.uk).





01282 450 238

[orders@miroproducts.co.uk](mailto:orders@miroproducts.co.uk)

Unit 9, Evolve@Vision Park, Burnley BB12 0AW